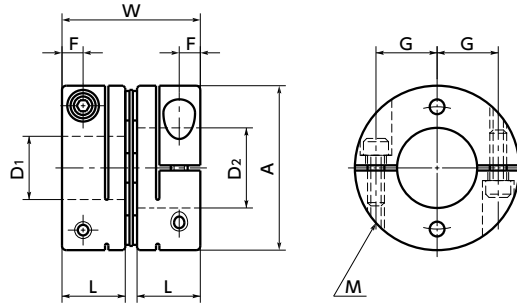


# XBSS-C Flexible Coupling - Single - Disk Type

WEB Selection Tool | WEB CAD Download | Zero Backlash | High Rigidity

**XBSS-C** Made of all stainless steel



## Dimensions

Part Number	A	L	W	F	G	M	Screw Tightening Torque (N·m)
<b>XBSS-15C2A</b>	15	7.5	16	2.3	5.25	M2	0.5
<b>XBSS-19C2A</b>	19	9	19	2.5	7.1	M2	0.5
<b>XBSS-25C2A</b>	25	11	23.6	3.5	9.25	M2.5	1
<b>XBSS-27C2A</b>	27	11	23.6	3.5	10.25	M2.5	1
<b>XBSS-34C3A</b>	34	12	26.2	4	13	M3	1.5
<b>XBSS-39C2A</b>	39	15	32.8	5	14.5	M4	3.5
<b>XBSS-44C2A</b>	44	15	32.8	5	17	M4	3.5
<b>XBSS-56C3A</b>	56	20	43.2	6	21.25	M5	8

Part Number	Stock Bores D1-D2																	
	3	4	5	6	8	10	11	12	14	15	16	18	19	20	22	24	25	28
<b>XBSS-15C2A</b>	●	●	●	●														
<b>XBSS-19C2A</b>		●	●	●	●													
<b>XBSS-25C2A</b>			●	●	●	●	●											
<b>XBSS-27C2A</b>				●	●	●	●	●										
<b>XBSS-34C3A</b>				●	●	●	●	●	●									
<b>XBSS-39C2A</b>					●	●	●	●	●	●								
<b>XBSS-44C2A</b>					●	●	●	●	●	●	●							
<b>XBSS-56C3A</b>						●	●	●	●	●	●	●	●	●	●	●	●	●

- All products are provided with hex socket head cap screw.
- Recommended dimensional allowances of applicable shaft diameter are h6 and h7.
- In case of mounting on D-cut shaft, be careful about the position of the D-cut surface of the shaft. → P.258

## Performance

Part Number	Max. Bore Diameter (mm)	Rated*1 torque (N·m)	Max. Rotational Frequency (min <sup>-1</sup> )	Moment*2 of Inertia (kg·m <sup>2</sup> )	Static Torsional Stiffness (N·m/rad)	Max. Lateral Misalignment (mm)	Max. Angular Misalignment (°)	Max. Axial Misalignment (mm)	Mass*2 (g)
<b>XBSS-15C2A</b>	6	0.42	42000	2.3×10 <sup>-7</sup>	500	0.02	0.5	±0.1	15
<b>XBSS-19C2A</b>	8	0.6	33000	7.4×10 <sup>-7</sup>	1000	0.02	1	±0.1	29
<b>XBSS-25C2A</b>	12	1.1	25000	2.8×10 <sup>-6</sup>	1500	0.02	1	±0.2	53
<b>XBSS-27C2A</b>	14	1.3	23000	3.8×10 <sup>-6</sup>	2100	0.02	1	±0.2	67
<b>XBSS-34C3A</b>	16	2.5	18000	1.1×10 <sup>-5</sup>	3800	0.02	1	±0.3	115
<b>XBSS-39C2A</b>	20	4.8	16000	2.3×10 <sup>-5</sup>	5500	0.02	1	±0.3	185
<b>XBSS-44C2A</b>	22	5.6	14000	3.9×10 <sup>-5</sup>	7000	0.02	1	±0.3	305
<b>XBSS-56C3A</b>	28	14	11000	1.4×10 <sup>-4</sup>	15000	0.02	1	±0.4	610

\*1: Correction of rated torque and max. torque due to load fluctuation is not required.  
 \*2: These are values with max. bore diameter.

Additional Keyway at Shaft Hole → P.803 | Cleanroom Wash & Packaging → P.807 | Change to Stainless Steel Screw → P.805

● Part number specification

**XBSS-39C2A - 12-14**

