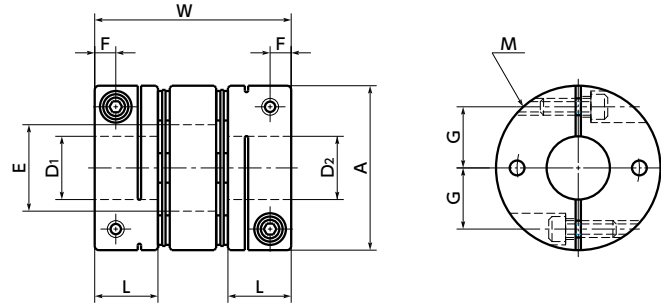


XBWS-C Flexible Coupling - Disk Type

WEB Selection Tool WEB CAD Download Zero Backlash High Rigidity

XBWS-C Made of all stainless steel



Dimensions

Part Number ¹	A	L	W	E	F	G	M	Screw Tightening Torque (N·m)
XBWS-15C2A	15	7.5	22	6.1	2.3	5.25	M2	0.5
XBWS-19C2A	19	9	25.5	8.5	2.5	7.1	M2	0.5
XBWS-25C2A	25	11	32.2	12.5	3.5	9.25	M2.5	1
XBWS-27C2A	27	11	32.2	14.5	3.5	10.25	M2.5	1
XBWS-34C3A	34	12	37.4	16.5	4	13	M3	1.5
XBWS-39C2A	39	15	46.6	20.5	5	14.5	M4	3.5
XBWS-44C2A	44	15	46.6	23	5	17	M4	3.5
XBWS-56C3A	56	20	60.4	29	6	21.25	M5	8

Part Number	Standard Bore Diameter D ₁ · D ₂ ²																	
	3	4	5	6	8	10	11	12	14	15	16	18	19	20	22	24	25	28
XBWS-15C2A	●	●	●	●														
XBWS-19C2A		●	●	●	●													
XBWS-25C2A			●	●	●	●	●											
XBWS-27C2A				●	●	●	●	●	●									
XBWS-34C3A					●	●	●	●	●	●	●							
XBWS-39C2A						●	●	●	●	●	●	●	●					
XBWS-44C2A							●	●	●	●	●	●	●	●	●			
XBWS-56C3A								●	●	●	●	●	●	●	●	●	●	●

- All products are provided with hex socket head cap screw.
- Recommended dimensional allowances of applicable shaft diameter are h6 and h7.
- In case of mounting on D-cut shaft, be careful about the position of the D-cut surface of the shaft. → P.258

Performance

Part Number	Max. Bore Diameter (mm)	Rated* ¹ torque (N·m)	Max. Rotational Frequency (min ⁻¹)	Moment* ² of Inertia (kg·m ²)	Static Torsional Stiffness (N·m/rad)	Max. Lateral Misalignment (mm)	Max. Angular Misalignment (°)	Max. Axial Misalignment (mm)	Mass* ² (g)
XBWS-15C2A	6	0.42	42000	5.0×10 ⁻⁷	300	0.05	1	±0.2	20
XBWS-19C2A	8	0.6	33000	1.6×10 ⁻⁶	550	0.15	2	±0.2	38
XBWS-25C2A	12	1.1	25000	6.1×10 ⁻⁶	1100	0.2	2	±0.4	71
XBWS-27C2A	14	1.3	23000	8.2×10 ⁻⁶	1300	0.2	2	±0.4	88
XBWS-34C3A	16	2.5	18000	2.5×10 ⁻⁵	1800	0.25	2	±0.6	160
XBWS-39C2A	20	4.8	16000	5.1×10 ⁻⁵	3500	0.3	2	±0.6	260
XBWS-44C2A	22	5.6	14000	8.9×10 ⁻⁵	5500	0.3	2	±0.6	400
XBWS-56C3A	28	14	11000	2.9×10 ⁻⁴	10000	0.3	2	±0.8	800

*1: Correction of rated torque and max. torque due to load fluctuation is not required.

*2: These are values with max. bore diameter.

- Part number specification

XBWS-27C2A- 11-12



Additional Keyway at Shaft Hole → P.803 Cleanroom Wash & Packaging → P.807 Change to Stainless Steel Screw → P.805

Available / Add'l charge

Available / Add'l charge

Available / Add'l charge