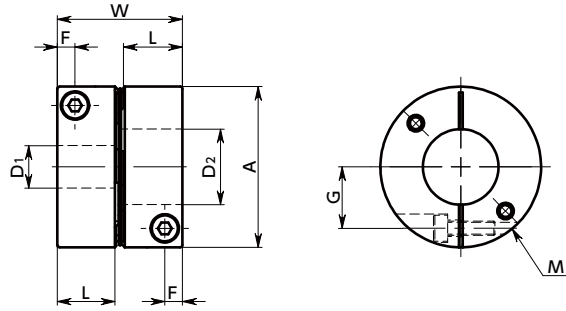


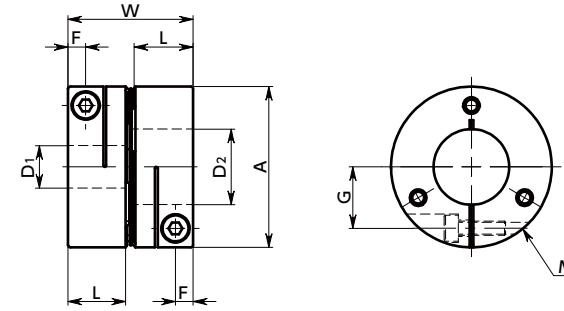
XHS-C Flexible Coupling - Single Disk Type Additional Size

WEB Selection Tool WEB CAD Download Zero Backlash High torque High Rigidity

XHS-C



Outside diameter $\phi 15$



Outside diameter $\phi 19 - \phi 98$

Dimensions

Unit : mm

Part Number	A	L	W	F	G	M	Screw Tightening Torque (N·m)
XHS-15C	15	7.5	15.8	2.1	5	M2	0.45
XHS-19C	19	9.2	19.4	2.6	7	M2	0.5
XHS-25C	25	11	23.1	3.3	9.25	M2.5	1
XHS-27C	27	11	23.1	3.3	10.25	M2.5	1
XHS-34C	34	12.5	26.5	3.75	13	M3	1.5
XHS-39C	39	15.5	32.8	4.5	14.5	M4	3.5
XHS-44C	44	15.5	32.8	4.5	17	M4	3.5
XHS-56C	56	20.5	43.2	6	21	M5	8
XHS-64C	64	24	51.2	7	24	M6	13
XHS-79C	79	30	63.6	8.75	29	M8	28
XHS-98C	98	32	69	8.7	38	M8	28

Part Number	Standard Bore Diameter D1 · D2																												
	3	4	5	6	6.35	8	9.525	10	11	12	14	15	16	17	18	19	20	22	24	25	28	30	32	35	38	40	42	45	50
XHS-15C	●	●	●	●																									
XHS-19C	●	●	●	●	●	●																							
XHS-25C		●	●	●	●	●	●	●	●	●																			
XHS-27C		●	●	●	●	●	●	●	●	●	●																		
XHS-34C			●	●	●	●	●	●	●	●	●	●	●																
XHS-39C				●	●	●	●	●	●	●	●	●	●	●	●	●	●												
XHS-44C					●	●	●	●	●	●	●	●	●	●	●	●	●	●											
XHS-56C						●	●	●	●	●	●	●	●	●	●	●	●	●	●	●									
XHS-64C							●	●	●	●	●	●	●	●	●	●	●	●	●	●	●	●							
XHS-79C								●	●	●	●	●	●	●	●	●	●	●	●	●	●	●	●	●	●	●	●	●	●
XHS-98C																		●	●	●	●	●	●	●	●	●	●	●	●

- All products are provided with hex socket head cap screw.
- Recommended dimensional allowances of applicable shaft diameter are h6 and h7.
- In case of mounting on D-cut shaft, be careful about the position of the D-cut surface of the shaft. → P.258

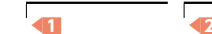
Performance

Part Number	Max. Bore Diameter (mm)	Rated*1 torque (N·m)	Max. Rotational Frequency (min ⁻¹)	Moment*2 of Inertia (kg·m ²)	Static Torsional Stiffness (N·m/rad)	Max. Lateral Misalignment (mm)	Max. Angular Misalignment (°)	Max. Axial Misalignment (mm)	Mass*2 (g)
XHS-15C	6	0.6	42000	2.2×10 ⁻⁷	110	0.01	0.7		6.6
XHS-19C	8	1.5	33000	6.3×10 ⁻⁷	330	0.02	1	±0.1	13
XHS-25C	12	3	25000	2.3×10 ⁻⁶	1200	0.02	1	±0.15	25
XHS-27C	14	3.3	23000	3.1×10 ⁻⁶	1800	0.02	1	±0.2	27
XHS-34C	16	6.3	18000	9.2×10 ⁻⁶	3900	0.02	1	±0.25	52
XHS-39C	20	12	16000	2.0×10 ⁻⁵	6000	0.02	1	±0.25	84
XHS-44C	22	15	14000	3.3×10 ⁻⁵	7900	0.02	1	±0.3	107
XHS-56C	28	37.5	11000	1.1×10 ⁻⁴	14000	0.02	1	±0.35	233
XHS-64C	35	50	9800	2.2×10 ⁻⁴	16000	0.02	1		328
XHS-79C	42	100	7900	6.7×10 ⁻⁴	23000	0.02	1		748
XHS-98C	50	280	6400	1.7×10 ⁻³	52000	0.02	1	±0.65	1120

- *1: Correction of rated torque due to load fluctuation is not required.
- *2: These are values with max. bore diameter.

● Part number specification

XHS-27C-8-10



Additional Keyway at Shaft Hole → P.803 Cleanroom Wash & Packaging → P.807 Change to Stainless Steel Screw → P.805
 Available / Add'l charge Available / Add'l charge Please feel free to contact us